



I-8050W

16-ch Universal Digital I/O Module

Features

- 16-channel Universal Digital Input/Digital Output
- Photocouple-isolation protection
- 3750 VDC Intra-module Isolation
- Each digital channel has its own status LED
- 4 kV ESD Protection
- Wide Operating Temperature Range: -25 ~ +75 °C



Introduction

I-8050W is a 16-channel Universal Digital I/O module. Each channel can be configured to be a Digital Input or Digital Output by programming. Each of which features Photocouple-isolation. I-8050W supports Sink Type Output with short-circuits protection. There are option for power on value and safe value for your consideration. All channels have ± 4 kV ESD protection and 3750 VDC intra-module isolation are standard.

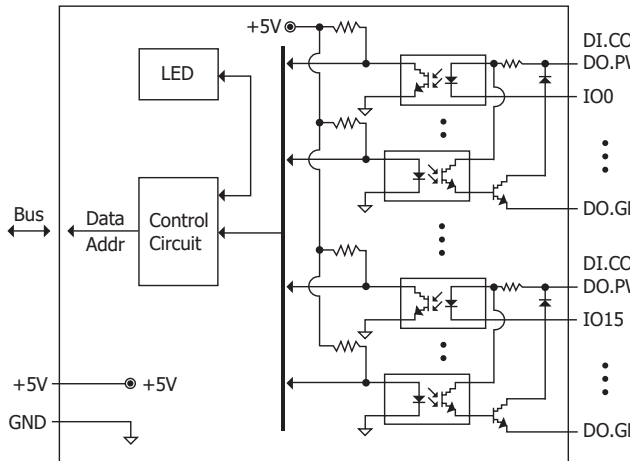
System Specifications

LED Indicators	
System LED Indicator	1 LED as Power Indicator
I/O LED Indicator	16 LEDs as I/O Status Indicator
Isolation	
Intra-module Isolation, Field-to-Logic	3750 VDC
EMS Protection	
ESD (IEC 61000-4-2)	± 4 kV Contact for each Terminal
Power	
Consumption	1 W Max
Mechanical	
Dimensions (W x L x H)	30 mm x 102 mm x 115 mm
Environment	
Operating Temperature	-25 ~ +75 °C
Storage Temperature	-30 ~ +85 °C
Humidity	5 ~ 95 % RH, Non-condensing

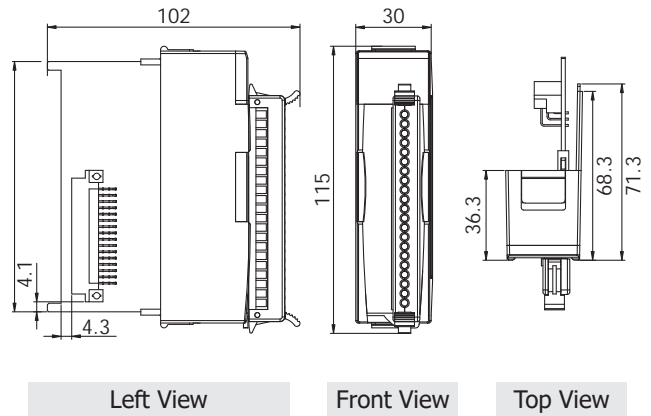
I/O Specifications

Digital Input	
Channels	0 ~ 16, by programming
Type	One Common for All Digital Inputs
Sink/Source (NPN/PNP)	Sink
ON Voltage Level	+10V ~ 30V
OFF Voltage Level	+4V Max.
Input Impedance	3K Ohms, 0.25 W
Digital Output	
Channels	0 ~ 16, by programming
Type	Isolated Open Collector
Sink/Source (NPN/PNP)	Sink
Load Voltage	+5 ~ +30 VDC
Load Current	100 mA/Channel

Internal I/O Structure



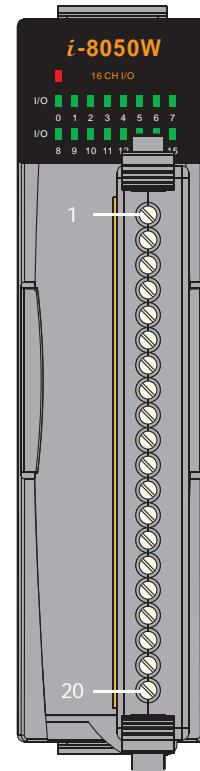
Dimensions (Units: mm)



Wire Connections

Input Type	ON State Readback as 1	OFF State Readback as 0
Relay Contact	Relay ON 	Relay OFF
TTL/CMOS Logic	Voltage > 10 V 	Voltage < 4 V
NPN Output	Open Collector ON 	Open Collector OFF
PNP Output	Open Collector ON 	Open Collector OFF
Output Type	ON State Readback as 1	OFF State Readback as 0
Drive Relay	Relay ON 	Relay OFF
Resistance Load	Relay ON 	Relay OFF

Pin Assignments



Terminal No.	Pin Assignment
01	IO0
02	IO1
03	IO2
04	IO3
05	IO4
06	IO5
07	IO6
08	IO7
09	IO8
10	IO9
11	IO10
12	IO11
13	IO12
14	IO13
15	IO14
16	IO15
17	DO.GND
18	DO.GND
19	DI.COM/DO.PWR
20	DI.COM/DO.PWR

Ordering Information

I-8050W-G CR	16-ch Universal Digital I/O Module (RoHS)
---------------------	---